

DUE114UPK(DC)  
DUE114UPE(AC)

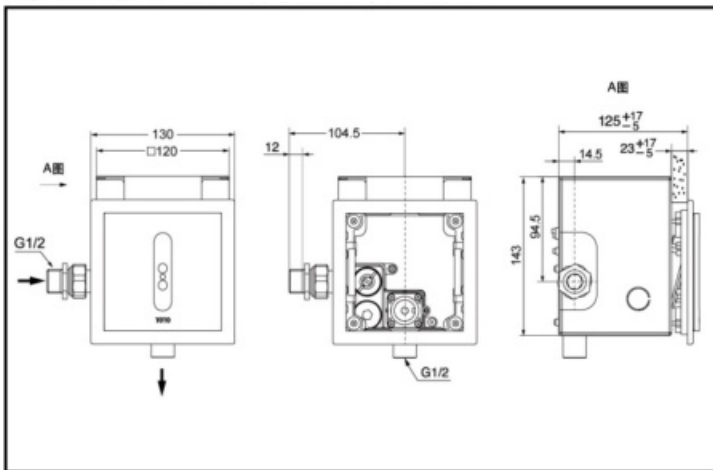


Reduce  
water

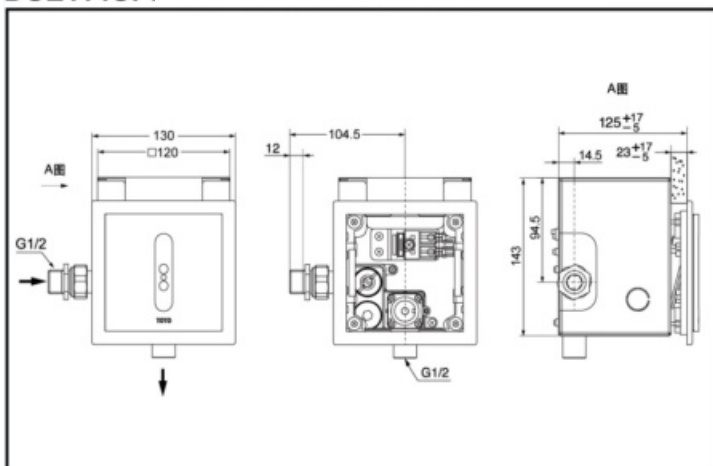


Auto  
Functions

### DUE114UPK In-wall Sensor Urinal Flush Valve



### DUE114UPI In-wall Sensor Urinal Flush Valve



\*TOTO(CHINA) CO.,LTD. All rights reserved.

### FEATURES

- In-wall resin panels.
- Touchless sensing operation.
- AC and DC two types available.

### SPECIFICS

Size: 130\*130mm

Water Supply:

0.1MPa(dynamic pressure) ~  
0.75MPa(static pressure)

Environment Temperature:

0~55°C

Flush Volume: 1.2~1.9L

Water efficiency grade :

Grade 1

Power: DUE114UPK(DC)

DUE114UPE(AC)

Sensing Distance:

Within 800mm in front of the  
sensor